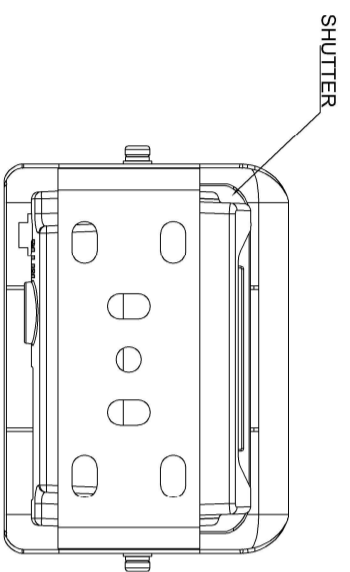
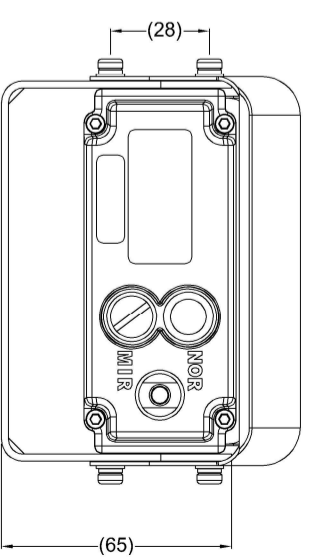
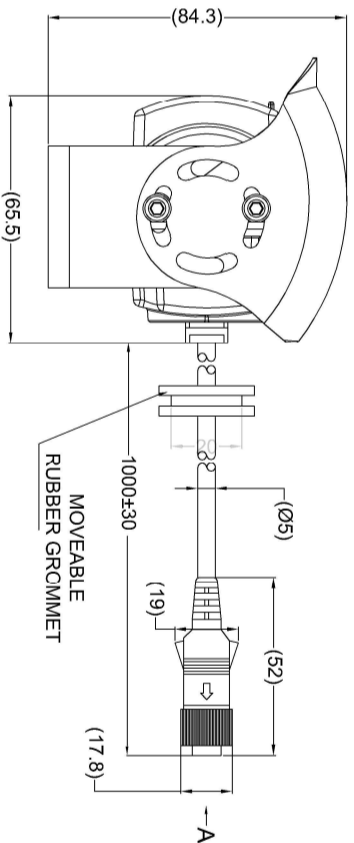
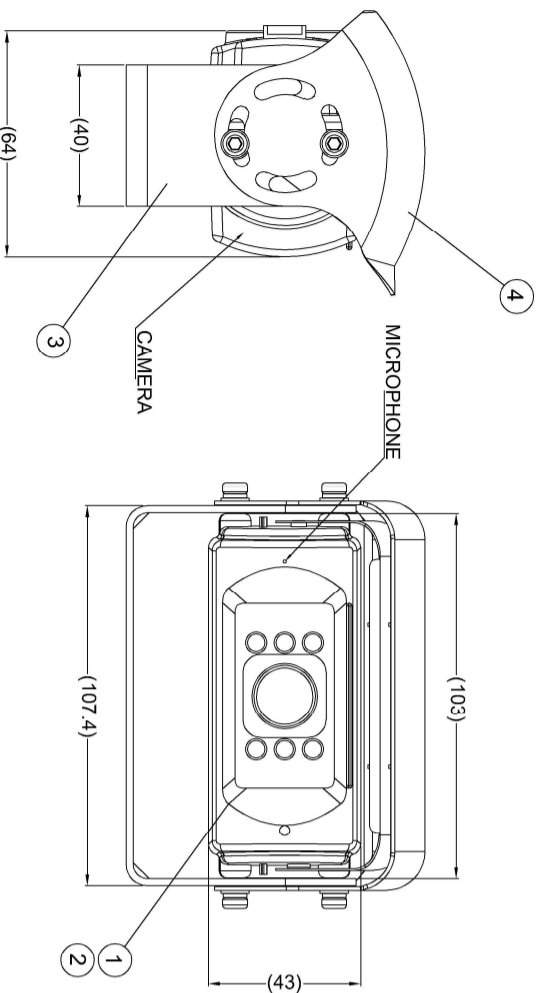
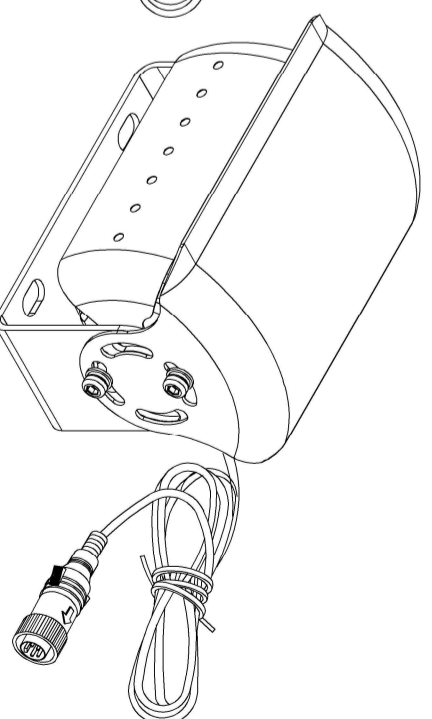
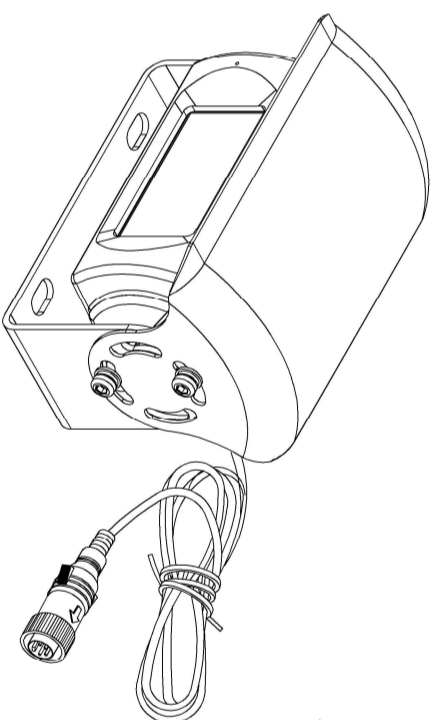
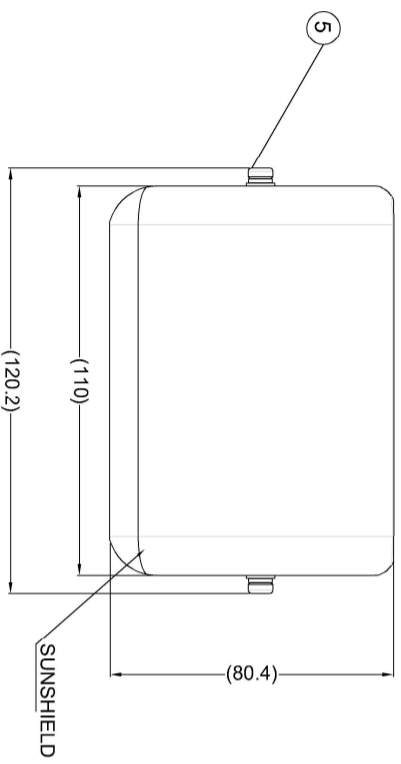
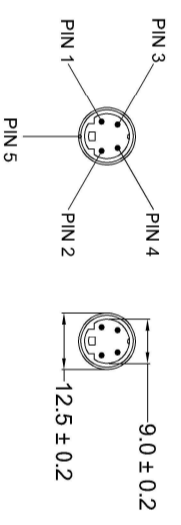


TABLE 1: BE-81XC CAMERA ONLY OPTIONS

PART NO.	MODEL NO.	DESCRIPTION
1242D	BE-810C	CAMERA ELITE, HEATED, SHUTTER, ULTRA-LOW-LIGHT, AUDIO (PAL)
2914C	BE-811C	ELITE CAMERA, HEATED SHUTTER & AUDIO (NTSC)



VIEW A



4 PIN MINI DIN MALE MATING FACE

PIN #	WIRE COLOUR	DESCRIPTION
1	YELLOW	VIDEO
2	RED	+12V
3	BLUE	ADD FUNCTION (SHUTTER CONTROL)
4	WHITE	AUDIO
5	SHIELD	GND

TABLE 2: CAMERA KIT CONTENTS

ITEM	①	②	③	④	⑤	⑥
PART NO.	1242D	2914C	3417B	3418A	3246	3419C
MODEL NO.	BE-810C-C	BE-811C-C	BE-81XX & BE-21XC BKT	BE-81XC & BE-21XC SS	BE-81XX & BE-21XC FIX	BE-81XC-IG
DESCRIPTION	CAMERA ELITE, HEATED, SHUTTER, ULTRA-LOW-LIGHT, AUDIO (PAL)	CAMERA ELITE, HEATED SHUTTER & AUDIO (NTSC)	BE-81XC & BE-21XC-BKT MOUNTING BRACKET	BE-81XC & BE-21XC SS SUNSHIELD	BE-81XC & BE-21XC FIX FIXING KIT	BE-81XC INSTALLATION GUIDE (NOT SHOWN)
QTY.	1	1	1	1	1	1

- NOTES:**
- REFER TO PRODUCT SPECIFICATION FOR PRODUCT SPECIFICATIONS.
 - FOR PRODUCT LABEL AND PACKAGING INFORMATION REFER TO MASTER BOM.
 - ANY CUSTOMER MODIFICATION OF THIS PRODUCT CAUSING SUBSEQUENT FAILURE IS NOT A LIABILITY OF BRIGADE ELECTRONICS PLC.

PROPRIETARY NOTICE

THIS DESIGN AND TECHNICAL INFORMATION APPEARING ON THIS DRAWING IS THE PROPERTY OF BRIGADE ELECTRONICS, AND IS DISCLOSED IN CONFIDENCE. IT IS NOT TO BE COPIED, REPRODUCED, REVEALED TO OR EXPROPRIATED BY OTHERS, EITHER IN WHOLE OR IN PART WITHOUT THE EXPRESS WRITTEN CONSENT OF BRIGADE ELECTRONICS.

Revision Notes

R1 - Drawing name change, Tables 1 & 2 and balloons added to include BE-811C as per P1262.

APA: T. CHOI	Drawn's: GOVENDR	Checked's: SLAYER	Approved: L. PILLAY	Date: 06/02/20
--------------	------------------	-------------------	---------------------	----------------

BRIGADE
www.brigade-electronics.com

Assembly Pl Approval T. CHOI 01/11/18	Approved by B. JOHN	Checked by S. LAYER	Drawn by C. WALKER
Angle of Projection Third Angle	Units mm	Scale N/A	Released 02/11/18
Status RELEASED	Part No SEE TABLE 1	BE-81XC	